

# BOX DETAIL SHEET

GRAIN CARTS/GRAVITY WAGONS



SIoux CITY TARP, INC. :: 5201 HARBOR DRIVE :: SIOUX CITY, IOWA 51111 :: TF: 1.888.258.6939 :: P: 712-258-6939 :: FX: 712-258-3882

## CUSTOMER INFORMATION

Name: \_\_\_\_\_ Address: \_\_\_\_\_

City: \_\_\_\_\_ State: \_\_\_\_\_ Zip: \_\_\_\_\_ Phone: \_\_\_\_\_ Fax: \_\_\_\_\_

Wagon/Cart Brand/Style: \_\_\_\_\_

### OUTSIDE MEASUREMENTS

- 1: Rail Width At Top \_\_\_\_\_
- 2: Box Width Inside \_\_\_\_\_
- 3: Height From Ground To Top \_\_\_\_\_
- 4: Box Length Top \_\_\_\_\_
- 5: Box Width Top  
Front \_\_\_\_\_  
Center \_\_\_\_\_  
Rear \_\_\_\_\_

### BOX EXTENSION MEASUREMENTS

- 6: Width \_\_\_\_\_
- 7: Driver Side Height \_\_\_\_\_
- 8: Passenger Side Height \_\_\_\_\_
- 9: Lower Angle \_\_\_\_\_

### CONFIGURATION OF FRONT

Must Select One

- Vertical
- Slopped

### EXTENSION STYLE OF BOX

See Figure A

- Slanted
- Overhang (Slanted)
- Angle (Slanted)
- Overhang & Angle (Slanted)
- Angle (Flat)

### TARP WEIGHT AND COLOR(S)

- 19 oz.
- 22 oz.
- Black
- Blue
- Maroon
- Orange
- Gray
- White
- Red
- Green
- Brown
- Yellow

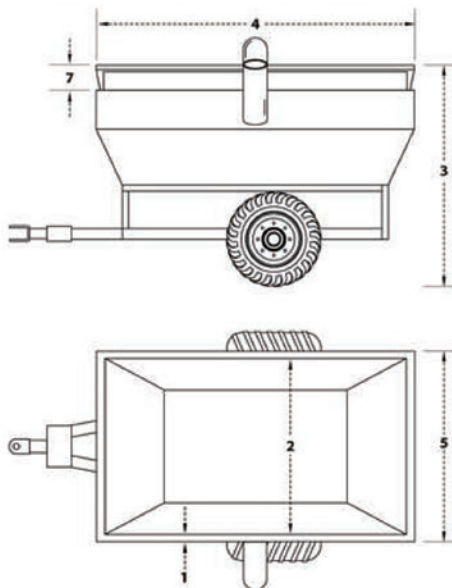
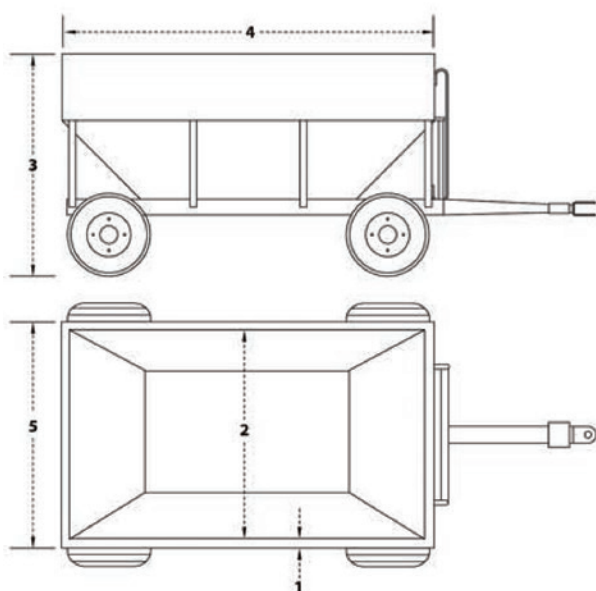
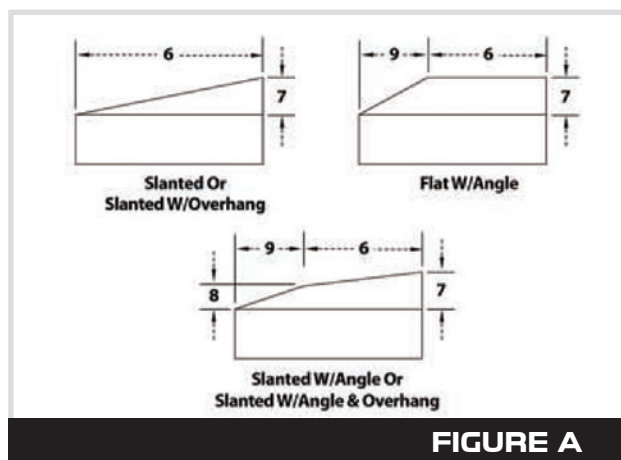


FIGURE A